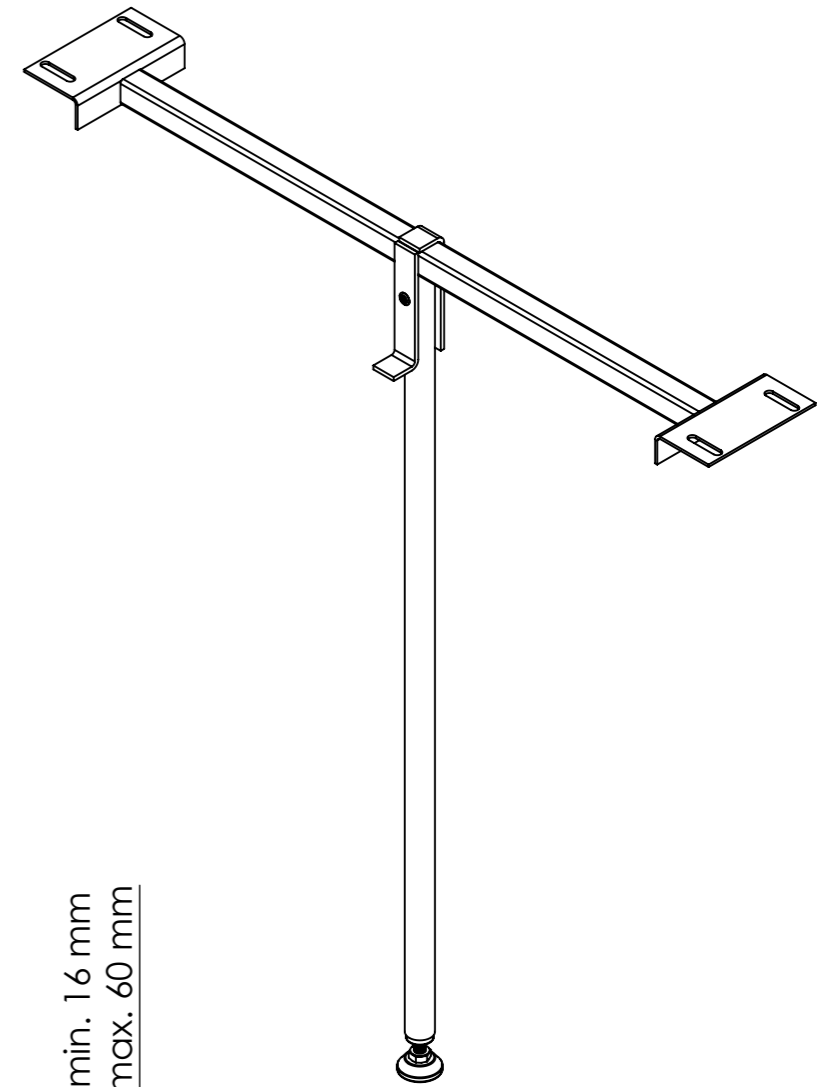
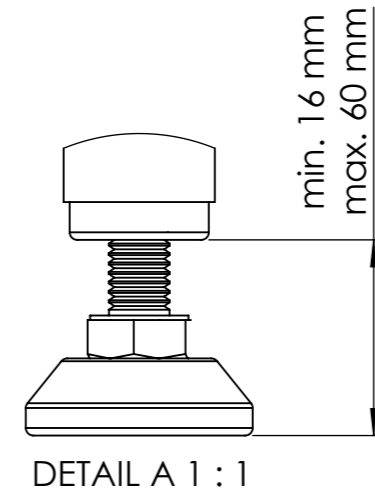
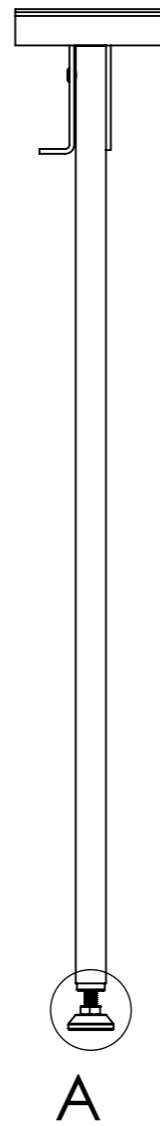
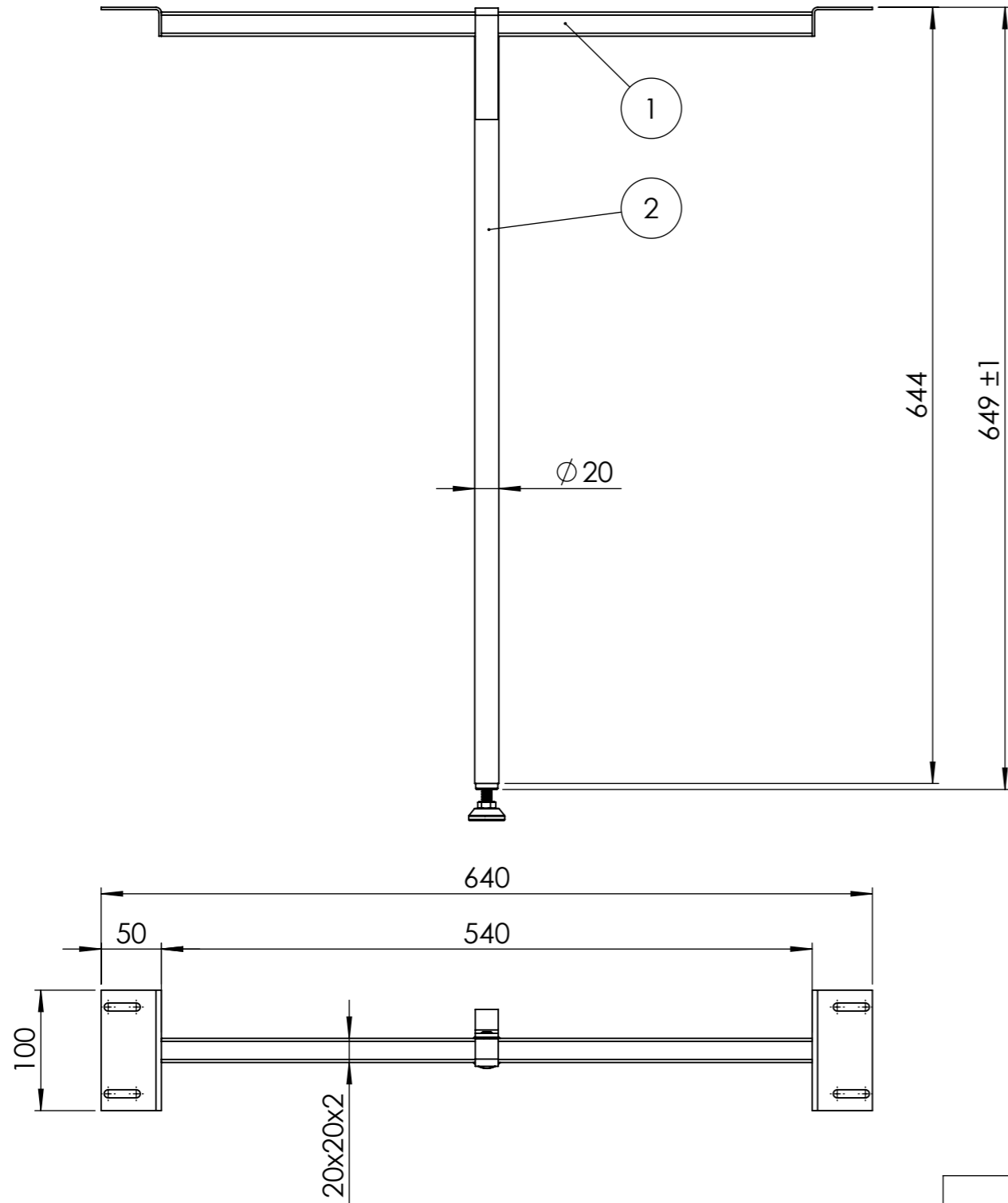


All property rights and rights to exploitation of copyright for this drawing data remain ours; they may not be made available to third parties without our consent.



POS.	Item.No	Artikelbezeichnung	Menge
1	15754	Traverse für Stützfuss	1
2	15331	Stützfuss	1

Index	Change		Date	Name
 DIN ISO 128-30	Description: Stützfuss kpl.			
	Surface: RAL 9005 gepulvert		Material: S235JRG2	Weight: 1.46 kg
 PÖTTKER Transforming furniture	Name	Date	Company	
	Signed	Vaquero	02.06.20	Second Company:
	Tested	J. Vaquero	03.06.2020	
General tolerance: DIN ISO 2768 - m		Item No: 15230	Scale 1:5	Page 1/1